

STELTEC

Make your home
Safe, stable and smart

Energy Storage Battery LV Series

www.steltec-ess.com
sales@steltec-ess.com

Flex-II



Flexible Investing
Expandable to 5.22-41.76kWh



**10 Years
product warranty**



**Good-looking
on the wall**



Safe & Reliable
Lithium Battery (LFP)

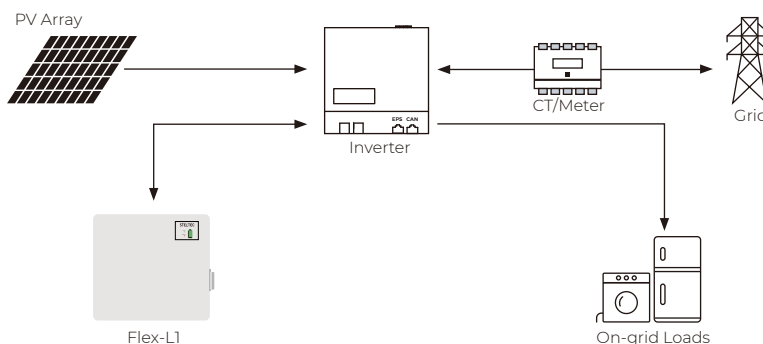
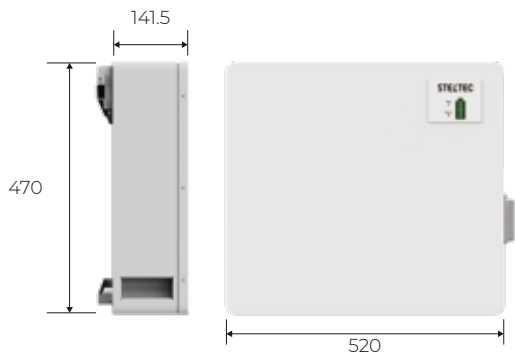


Intelligent Build in BMS
Monitored for 24*7



Easy Installation
Plug and Play

(Unit:mm)



STELTEC

Product type	Flex-L1
Technical specification	
Battery model	STE-BSW-5220
Battery System Capacity	5.22kWh
Cell Technology	Li-ion(LFP)
Battery Cell Capacity	102Ah
Configuration	1P16S
Nominal Voltage	51.2V
Operating Voltage Range	45.6~56.2V
Dimension (W*D*H)	520*141.5*470(mm) / 20.47*5.57*18.5(inch)
Net Weight	48kg (105.82 lb)
Scalability	Max. 15 systems in parallel operation
Installation	Wall mounted only
Depth of Discharge	90%
Battery System Charge Current (Normal)	80A
Battery System Charge Current (Max)	100A
Battery System Discharge Current (Normal)	80A
Battery System Discharge Current (Max)	100A
Cooling	Natural convection
Communication Port	RS232, RS485, CAN
Protection Class	IP54
Operating Temperature	0°C~50°C (32°F~122°F)
Shelf Temperature	-20°C~50°C (-4°F~122°F)
Humidity	5%-95%
Max. operating altitude	2,000m (6,562ft.)
Operation Life	10 years
Standard Compliance (more available upon request)	
Certificates	IEC62619 / IEC61000 / IEC62040 / CE / UN38.3